

Product specification sheet

NOVIKSTONE™ SK Stacked Stone Panel

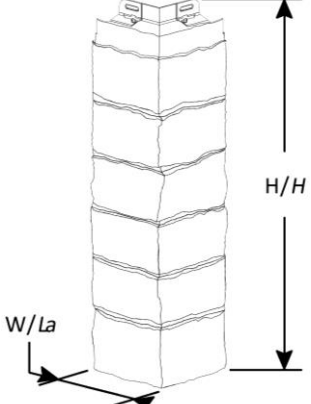
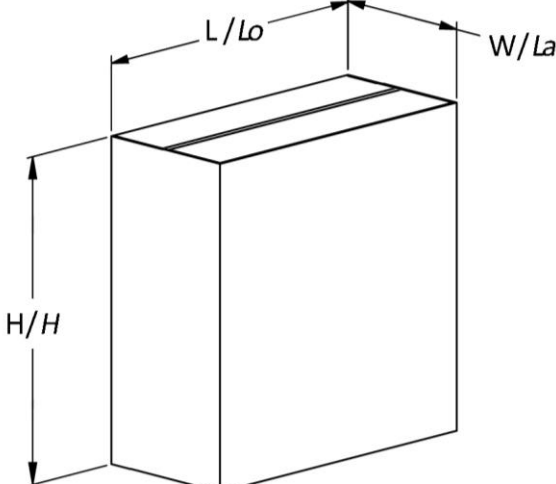
Technical information			
Overall dimensions	Length X Height X Depth 45.00" X 20.25" X 1.00"	Overall dimensions	Length X Height X Depth 114,30cm X 51,44cm X 2,54cm
Material thickness	0.090"	Material thickness	2,29mm
Exposed dimensions	Length X Height 37.88" L X 18.75" H	Exposed dimensions	Length X Height 96,20cm X 47,63cm
Exposure	N/A	Exposure	N/A
Weight per panel (+/- 5%)	3.29 pounds	Weight per panel (+/- 5%)	1,49kg
Box dimensions	Length X Height X Width 45.75" X 8.75" X 21.00"	Box dimensions	Length X Height X Width 116,2cm X 21,6cm X 53,3cm
Panels per box	10	Panels per box	10
Sq. ft. per box	49.32 ft ²	Sq. ft. per box	4,58m ²
Weight per box (+/- 5%)	36.00 pounds	Weight per box (+/- 5%)	16.33 kg
Boxes per pallet	20	Boxes per pallet	20
Pallet dimensions	Length X Height X Width 49.00" X 88.25" X 43.00"	Pallet dimensions	Length X Height X Width 124,5cm X 224,2cm X 109,2cm
Weight per pallet (+/- 5%)	747 pounds	Weight per pallet (+/- 5%)	338.84 kg
Pallets per truckload	24	Pallets per truckload	24

[Return to the top of SK Panel page / Retour au haut de la page du panneau SK](#)

[Return to the top of SK Corner page / Retour au haut de la page du coin SK](#)

Product specification sheet

NOVIKSTONE™ SK Stacked Stone Corner

Technical information			
			
Overall dimensions	Height X Width 21.25" X 6.10"	Overall dimensions	Height X Width 53,98cm X 15,49cm
Material thickness	0.090"	Material thickness	2,29mm
Exposed dimensions	Height X Width 19.00" X 6.10"	Exposed dimensions	Height X Width 48,26cm X 15,49cm
Exposure	N/A	Exposure	N/A
Weight per corner (+/- 5%)	0.8 pounds	Weight per corner (+/- 5%)	0,36 kg
			
Box dimensions	Length X Height X Width 21.75" X 13.25" X 8.75"	Box dimensions	Length X Height X Width 55,3cm X 33,7cm X 22,2cm
Corners per box	5	Corners per box	5
Linear ft. per box	7.92 ft.	Linear ft. per box	2,41m
Weight per box (+/- 5%)	5.15 pounds	Weight per box (+/- 5%)	2,34 kg
Boxes per pallet	56	Boxes per pallet	56
Pallet dimensions	Length X Height X Width 53.00" X 80.00" X 43.00"	Pallet dimensions	Length X Height X Width 134,6cm X 203,2cm X 109,2cm
Weight per pallet (+/- 5%)	316 pounds	Weight per pallet (+/- 5%)	143kg
Pallets per truckload	N/A	Pallets per truckload	N/A

[Return to the top of SK Panel page / Retour au haut de la page du panneau SK](#)

[Return to the top of SK Corner page / Retour au haut de la page du coin SK](#)