



Instytut Techniki Budowlanej (Building Research Institute)

Research | Development | Accredited Laboratories Team |

Notified Body No. 1488 | Member of EOTA | Certified Management Systems ISO 9001, ISO 27001

REACTION TO FIRE CLASSIFICATION REPORT according to PN-EN 13501-1:2019-02

Contract No. 01901/22/R47NZZ

Client:	Profile VOX Sp. z o.o. Sp. k. ul. Gdyńska 143 62-004 Czerwonak
Issued by:	Fire Research Department, Building Research Institute ul. Filtrowa 1 00-611 Warsaw
Product name:	VOX Vinyl Siding with finishing elements
Classification report no:	01901/22/R47NZZ
Issue No.: 1	Copy No.: 1
Date of release:	20 May 2022

This classification report consists of three pages. The classification may only be used or reproduced in its entirety.

1. Introduction

This classification report defines the classification of VOX Vinyl Siding with finishing elements in accordance with the procedures specified in PN-EN 13501-1:2019-02.

2. Product details

2.1 General provisions

VOX Vinyl Siding with finishing elements for use in construction.

Product description

The product is described below.

<p>VOX Vinyl Siding with finishing elements Maximum width: 340 mm Wall thickness: up to 1.4 mm Weight per unit area: up to 0.68 kg per linear metre See appendix for detailed drawings and markings. VOX Vinyl Siding with finishing elements is manufactured by Profile VOX sp. z o.o. sp. k., ul. Gdyńska 143, 62-004 Czerwonak, Poland.</p>
--

3. Test reports and test results underlying the classification

3.1 Test reports

Laboratory name	Client name	Test report No.	Test method
ITB Fire Research Laboratory	Profile VOX sp. z o.o. sp.k.	LZP01-01901/22/R47NZZ	PN-EN ISO 11925-2:2020-09
		LZP02-01901/22/R47NZZ	PN-EN 13823+A1:2014

3.2 Test results

Test method	Parameter	Number of tests	Results	
			Continuous parameter - mean value (m)	Compliance with the parameter
PN-EN ISO 11925-2:2010 Surface and edge flame attack Exposure: 30 s	Flame spread $F_s \leq 150$ mm	6	(-)	Y
	Flaming droplets/particles		(-)	N
PN-EN 13823+A1:2014	FIGRA _{0.2MJ}	3	720.4	(-)
	FIGRA _{0.4MJ}		720.4	(-)
	LFS < edge		(-)	Y
	THR _{600s} [MJ]		31.5	(-)
	SMOGR _A [m ² /s ²]		296.4	(-)
	TSP _{600s} [m ²]		919.8	(-)
	Flaming droplets/particles		(-)	N
(-): not applicable Y: YES N: NO				

4 Classification and its scope of application

4.1 Classification reference

Classification has been determined in accordance with PN-EN 13501-1:2019-02.

4.2 Classification

In terms of reaction to fire, the product (VOX Vinyl Siding together with finishing elements) is classified as follows:

D

In terms of smoke growth, the product is additionally classified as follows:

s3

In terms of the presence of flaming droplets/particles, the product is additionally classified as follows:

d0

For construction products other than flooring and linear products for thermal insulation of ducts, the classification format in terms of reaction to fire is as follows:

Fire performance		Smoke production			Flaming droplets	
D	-	s	3	,	d	0

i.e. **D-s3, d0**

Reaction to fire classification: D-s3, d0

This classification report is valid for end uses in accordance with the technical requirements to be met by buildings and their location and as for “flammable products producing no flaming droplets” in accordance with Regulation of the Minister of Infrastructure of 12 April 2002 (Journal of Laws No. 75 of 15 June 2002, item 690). In addition, the product is assessed as not falling off under the influence of fire.

4.3 Scope of application

This classification is valid to the following end uses:

- VOX Vinyl Siding with finishing elements described in Section 2 of this classification report, fixed directly to or at any distance from the substrate with reaction to fire classification of at least A2-s3,d0 according to PN-EN 13501-1
- VOX Vinyl Siding with finishing elements described in Section 2 of this classification report fixed mechanically in any orientation to a wooden substructure (wood of European origin) or to a metal substructure.

5 Limitations

The classification remains valid as long as:

- the test method is not changed,
- the product standard or the product technical approval is not changed (does not apply to the date of the standard),
- changes in design and materials do not go beyond the scope of application defined in section 4.3.

This classification report has been issued in 3 copies (2 for the Client, 1 for ITB Fire Research Department archives). Certified-true copies may be issued by ITB Fire Research Institute only at the request of the report Owner.

The classification determined for the product and given in this report is relevant for the manufacturer's declaration of performance (until 1 July 2013 - the declaration of conformity) within the system 3 of assessment and verification of constancy of performance (until 1 July 2013 - the system of conformity assessment) and CE marking in accordance with the harmonised technical specification of the product and the Regulation (EU) No 305/2011 of the European Parliament and of the Council of 9 March 2011 laying down harmonised conditions for the marketing of construction products and repealing Council Directive 89/106/EEC.






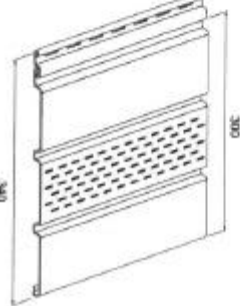
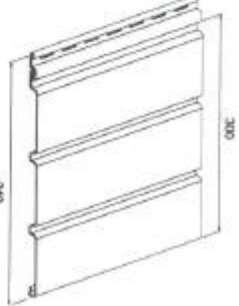

The manufacturer has submitted the declaration, which is kept on file. It confirms that there are no special processes, procedures or steps in the manufacturing process of the product (e.g. addition of retardants, reduction of organic content or addition of fillers) that are used to improve the fire performance in order to obtain the classification. Consequently, the manufacturer declares that the conformity assessment system 3 is appropriate.

Therefore, the testing laboratory does not participate in collecting samples for testing, although it is in possession of information, provided by the manufacturer, necessary to enable traceability of the test samples.

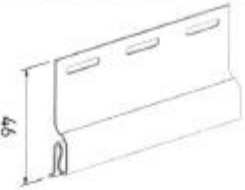


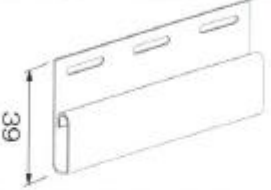





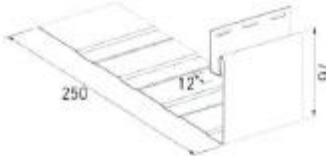
This classification document is not an approval or certification of the product.

Signed by
Łukasz Jarołowicz

Accepted by
dr inż. Bartłomiej K. Papis
Manager, Fire Research Department

SV/SVP/SVPU-06 SX/SXP/SXPU-06		
		
S-01, SV-01, SVPU-01, SVTU-01, SVTPU-01, SX-01, SXPU-01	S-02, SV-02	
		
SV-05, SVPU-05, SVTU-05, SVTPU-05, SX-05, SXPU-05		VSV-03
		
S-01, SV-07, SVPU-07	S-08, SV-08, SVPU-08	SV-09, SVPU-09
		

VOX vinyl siding drawings

S-11, SV-11	S-12, SV-12, SVPU-12
	
S-13, SV-13, SVPU-13	S-14, SV-14, SVPU-14
	
S-15, SV-15, SVPU-15	S-16, SV-16
	
S-17, SV-17	S-18, SV-18, SVPU-18
	
S-19, SV-19	S-19, SV-20
	

Finishing elements drawings